



## HEAVY DUTY SINKS

Made from AISI 304 stainless steel  
Scotch Brite polish  
3 different basin sizes  
Legs made of square-pipe 40 x 40 mm  
Adjustable feet's just 40 mm  
With splashback  
The sinks are delivered one-piece ready-welded.  
By demand it can be supplied customized and disassembled

## LAVADOUROS

Construídos em aço inoxidável AISI 304  
Acabamento Scotch Brite  
3 medidas diferentes de cubas  
Pata quadradas 40 x 40 mm  
Pés com ajuste de 40 mm  
Com alçado posterior  
Os lavadouros são fornecidas soldados numa só peça  
A pedido podem ser fornecidos à medida e desmontados

## FREGADEROS

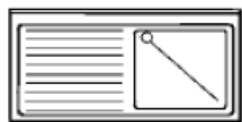
Construidas en acero inoxidable AISI 304  
Acabado Scotch Brite  
3 medidas diferentes de senos  
Patas cuadradas 40 x 40 mm  
Pies con ajuste de 40 mm  
Con o sin reborde  
Los fregaderos se suministran soldados en una sola pieza  
Bajo pedido se pueden suministrar à medida y desmontados

## ÉVIERS

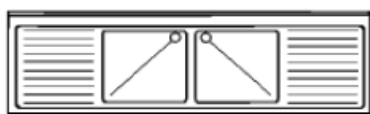
Fabrication en acier inoxydable AISI 304  
Finition Scotch Brite  
3 dimensions différents des bacs  
Structure carrés de 40 x 40 mm  
Pieds ajustables de 40 mm  
Avec dossier  
Les évier sont soudées et livrées d'une seule pièce  
Sur demand il peut être fourni a mesure et démonté

MODEL	DIMENSIONS	BASIN DIMENSIONS	Nº BASINS	BASINS LOCATION
L60601C	600*600*850	450*450*250	1	Center
L70701C	700*700.850	500*500*300	1	Center
L100701C	1060*700.850	915*510*340	1	Center
L130601DR	1300*600*850	450*450*250	1	Right
L130601ES	1300*600*850	450*450*250	1	Left
L130602C	1300*600*850	450*450*250	2	Center
L130701DR	1300*700*850	500*500*300	1	Right
L130701ES	1300*700*850	500*500*300	1	Left
L130702C	1300*700*850	500*500*300	2	Center
L190602DR	1900*600*850	450*450*250	2	Right
L190602ES	1900*600*850	450*450*250	2	Left
L190702DR	1900*700*850	500*500*300	2	Right
L190702ES	1900*700*850	500*500*300	2	Left
L260602DR	2600*600*850	450*450*250	2	Right
L260602ES	2600*600*850	450*450*250	2	Left
L260602C	2600*600*850	450*450*250	2	Center
L260702DR	2600*700*850	500*500*300	2	Right
L260702ES	2600*700*850	500*500*300	2	Left
L260702C	2600*700*850	500*500*300	2	Center

Notas: Dimensões das cubas \* Dimensiones de los senos \* Dimention des bassins \* Sink dimentions



DR



C

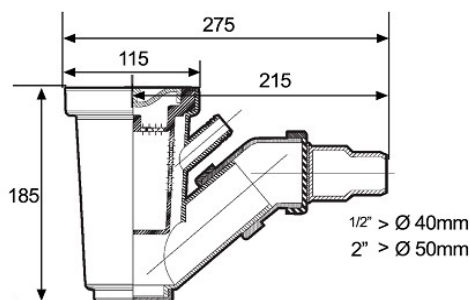


ES

Optional: Sifon



Code: SI611040



1/2" > Ø 40mm  
2" > Ø 50mm

Fimpex, Lda

Praceta D. Nuno Álvares Pereira 10 – 20 AM  
4450-218 Matosinhos - Portugal  
Telemóvel: (+351) 919 511 871  
Telf./ Fax.: (+351) 220 935 321  
E-mail: geral@fimpex.pt

www.fimpex.pt